

SPIROTECH SPECIFICATION SHEET



Product: SpiroTrap 22 mm Compression fitting

Type:

UE022WJ

Date:

3/18/2021

Customer:

Project:

Reference:

Design criteria

Medium:	Water / glycol (max 50%)	
Max. flow velocity:	1	m/s
Max. flow rate:	1.30	m ³ /h
Max. pressure:	10	bar-g
Max. temperature:	110	°C
Design standard:	EN 13445	

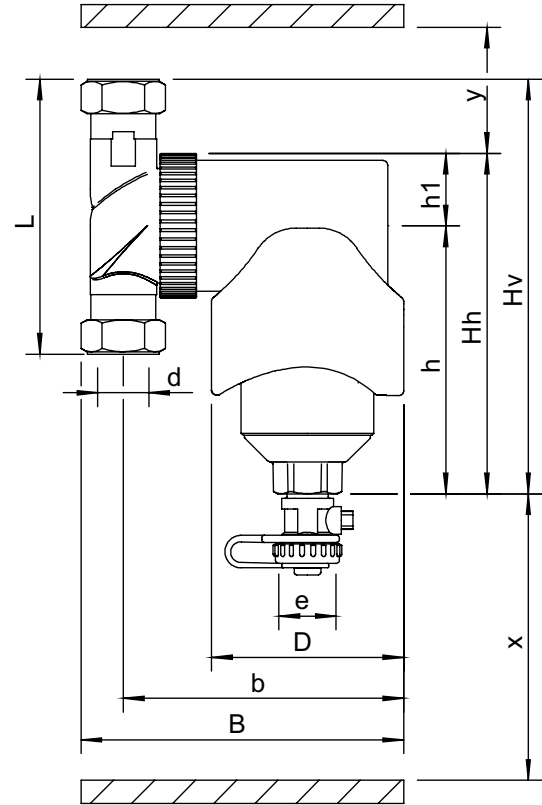
Testing and quality assurance

Leakage test:	no
Test certificate:	no
Design and manufacturing acc. 2014/68/EU:	yes
Material certificates (structural parts):	no
Drawing:	no

Construction materials

Body:	Brass
Swivel:	Brass
Drain valve:	Brass
Spirotube Tube:	Copper
Spirotube Wire:	Copper
Spirotube Solder:	Tin(SnCu3)
Magnet:	Neodymium

Drawing



Dimensions

d:	22 mm
h:	117 mm
Hh:	149 mm
Hv:	177 mm
h1:	32 mm
L:	112 mm
D:	84 mm
B:	141 mm
b:	123 mm
x:	>110 mm
y:	>50 mm
e:	G3/4

Volume 0.36 ltr

Dry weight (approx) 2.2 kg

Subject to changes